

LOC		DIST		REVISIONS			
P	LTR	DESCRIPTION		DATE	DWN	APVD	
	S2	REVISED PER ECO-15-006450		28APR2015	NK	RH	

SPECIFICATIONS:

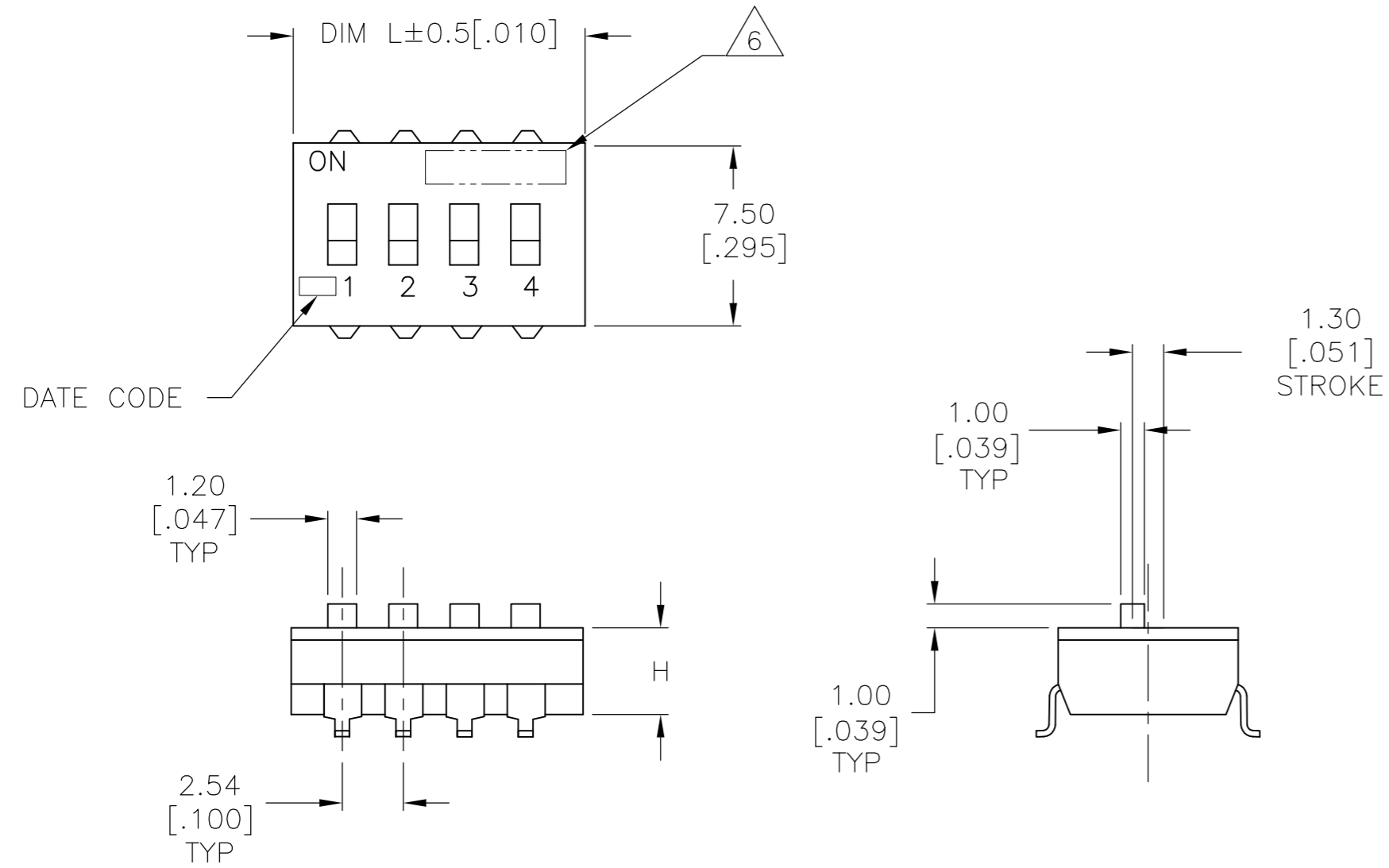
**MATERIAL**  
 BASE, PPS, UL94V-0, BLACK  
 COVER, PPS, UL94V-0, BLACK  
 ACTUATOR, PA6T, UL94V-0, WHITE  
 FIXED CONTACT/TERMINAL, CU ALLOY-GOLD FLASH OVER NICKEL  
 MOVING CONTACT, CU ALLOY, PLATE-GOLD FLASH/NICKEL

**ELECTRICAL**  
 MAX CONTACT RATING SWITCHING, 100MILLIAMP @ 24 VDC  
 MIN CONTACT RATING SWITCHING, .1MICROAMP @ 1 MILLIVOLT  
 MAX CONTACT NON-SWITCHING, 1AMP @ 5 VDC  
 INITIAL CONTACT RESISTANCE, 50 MILLIOHMS MAX.  
 CONTACT RESISTANCE (AFTER ENVIRONMENTAL TEST), 100 MILLIOHMS  
 CONTACT RESISTANCE (AFTER GAS TEST), 300 MILLIOHMS  
 INSULATION RESISTANCE, 1,000 MEGOHMS MIN. @ 100 VDC  
 DIELECTRIC STRENGTH, 500 VAC RMS @ SEA LEVEL  
 LIFE EXPECTANCY, 1,000 CYCLES

**MECHANICAL**  
 OPERATING FORCE, LESS THAN 800 GRAMS  
 CONTACT PRESSURE, 280,000 PSI

**ENVIRONMENTAL**  
 OPERATING TEMPERATURE, -30 TO +85 DEGREES C  
 STORAGE TEMPERATURE, -45 TO +105 DEGREES C  
 CLEANING, AQUEOUS OR SOLVENT  
 SOLDER HEAT RESISTANCE, PER 109-201,COND B, SWITCH "OFF".  
 SOLDERABILITY PER JIS C 0050 & JIS C 0053

- 1 SWITCHES TO BE RECEIVED IN THE "OFF" POSITION AND PACKAGED IN CLEAR TUBES TO ACCOMMODATE AUTO-INSERTION.
- 2 TOP SURFACE TO BE CLEARLY MARKED AS SHOWN.
- 3 SWITCHES TO BE BLACK WITH WHITE ACTUATORS AND MARKINGS.
- △ 4 TERMINAL OPTION: OLD T&B P/N ADExxS, SA OR SB  
 S= OUTSIDE "L" TERMINALS; SA= INSIDE "L" TERMINALS;  
 SB= BUTT TERMINALS.
- 5 ALL MATERIALS AND FINISHES SHALL COMPLY WITH EU DIRECTIVE 2002/95/EC OF 27JAN2003 (ROHS).
- △ 6 OBSOLETE PARTS: OBSOLETE CIS STREAMLINING PER D.RENAUD/D.SINISI.
- △ 7 TAPE AND REEL PACKING PER PAGE 3 SPECIFICATIONS.

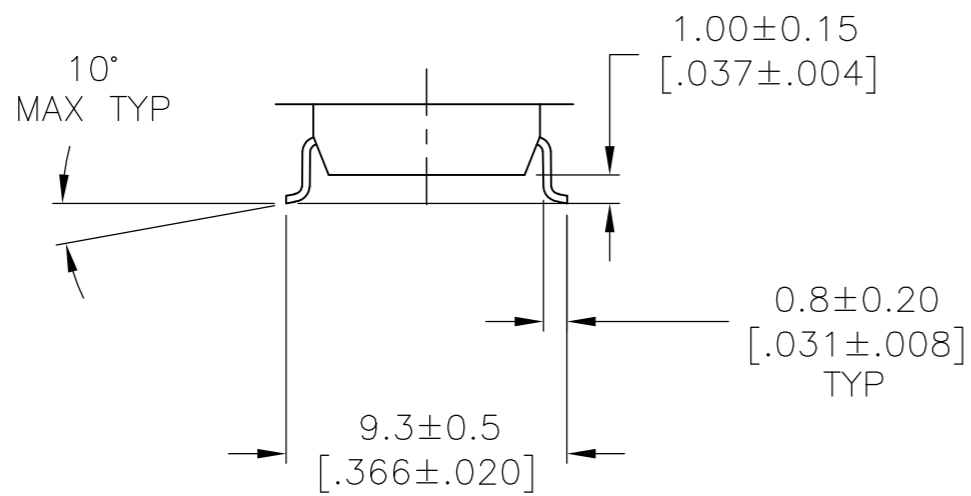
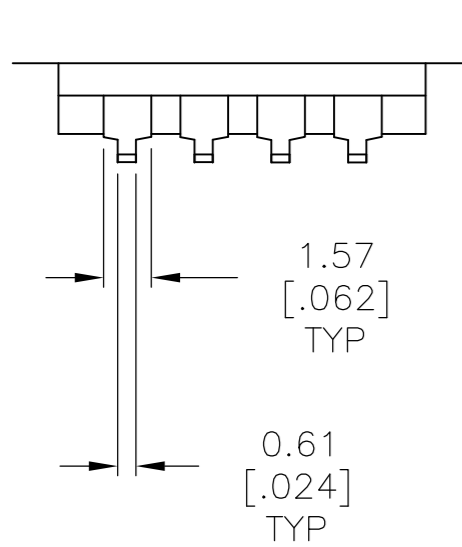


SEE SHEET 2 FOR PART NUMBER TABLE AND MOUNTING OPTIONS

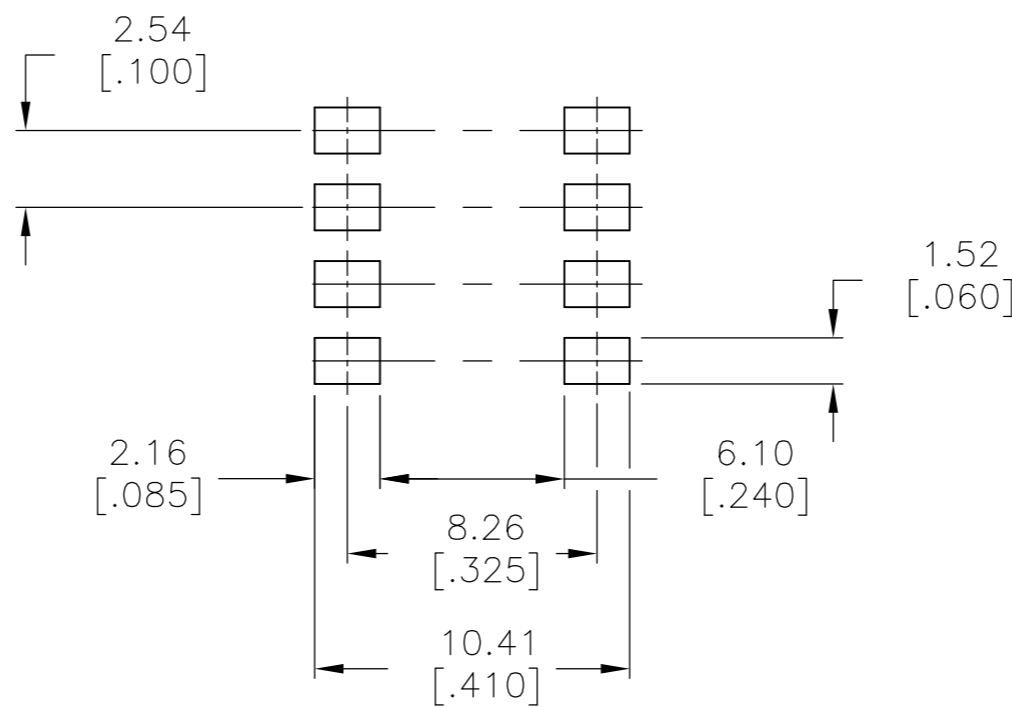
THIS DRAWING IS A CONTROLLED DOCUMENT.		DWN B.S.VISWESWARA 10FEB05	TE Connectivity																			
DIMENSIONS: mm [INCHES]		CHK M.SARVER			NAME																	
TOLERANCES UNLESS OTHERWISE SPECIFIED:		APVD M.SARVER	DIP SWITCH, ADE-SMT SERIES																			
<table border="1"> <tr><td>0 PLC</td><td>±</td><td>-</td></tr> <tr><td>1 PLC</td><td>±</td><td>-</td></tr> <tr><td>2 PLC</td><td>±</td><td>0.30[0.012]</td></tr> <tr><td>3 PLC</td><td>±</td><td>-</td></tr> <tr><td>4 PLC</td><td>±</td><td>-</td></tr> <tr><td>ANGLES</td><td>±</td><td>-</td></tr> </table>		0 PLC	±	-	1 PLC	±	-	2 PLC	±	0.30[0.012]	3 PLC	±	-	4 PLC	±	-	ANGLES	±	-	PRODUCT SPEC	SIZE	CAGE CODE
0 PLC	±	-																				
1 PLC	±	-																				
2 PLC	±	0.30[0.012]																				
3 PLC	±	-																				
4 PLC	±	-																				
ANGLES	±	-																				
MATERIAL		FINISH	WEIGHT	DRAWING NO																		
-		-	-	RESTRICTED TO																		
CUSTOMER DRAWING			SCALE	SHEET																		
-			4:1	1 of 3																		
-			REV	S2																		

THIS DRAWING IS UNPUBLISHED. RELEASED FOR PUBLICATION 1825058, 1825058  
 © COPYRIGHT 1825058 By - ALL RIGHTS RESERVED.

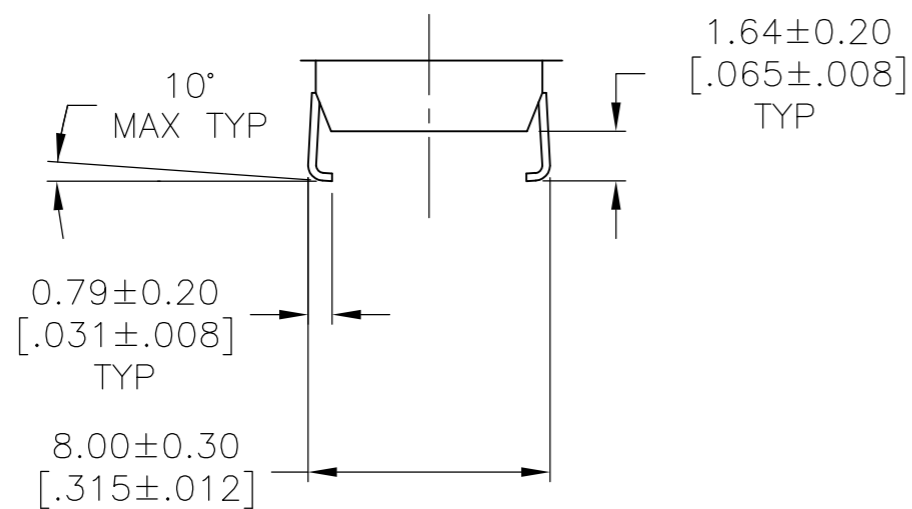
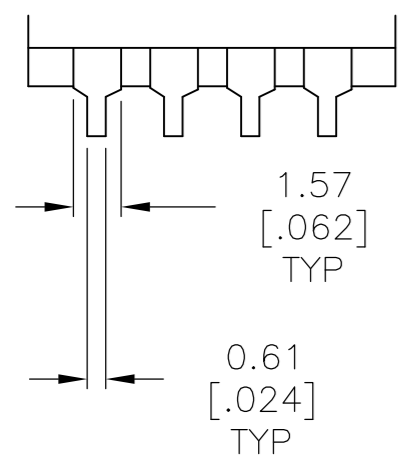
LOC		DIST		REVISIONS			
P	LTR	DESCRIPTION	DATE	DWN	APVD		
		SEE SHEET 1					



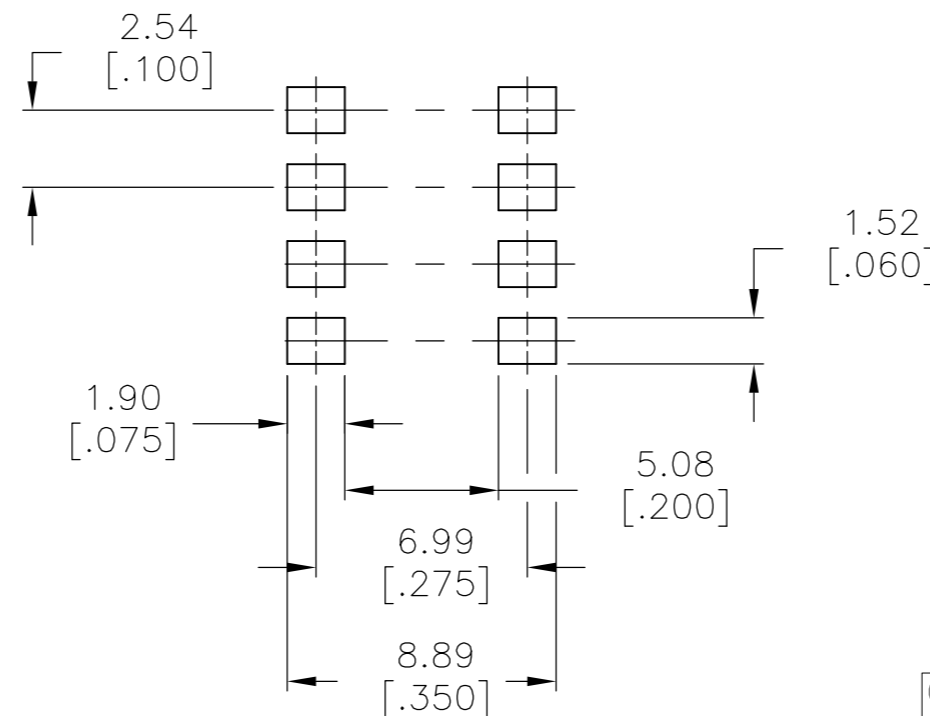
**SURFACE MOUNT S (OUTSIDE "L")**



**RECOMMENDED PAD LAYOUT**



**SURFACE MOUNT SA (INSIDE "L")**



**RECOMMENDED PAD LAYOUT**

ADE12STR04	3.61 [.142]	32.51 [1.280]	12	4-1825058-1	
ADE10STR04	3.50 [.138]	27.30 [1.075]	10	4-1825058-0	
ADE09STR04	3.50 [.138]	24.54 [.978]	9	3-1825058-9	
ADE08STR04	3.50 [.138]	22.30 [.878]	8	3-1825058-8	
ADE07STR04	3.50 [.138]	19.76 [.778]	7	3-1825058-7	
ADE06STR04	3.50 [.138]	17.22 [.678]	6	3-1825058-6	
ADE05STR04	3.50 [.138]	14.68 [.578]	5	3-1825058-5	
ADE04STR04	3.50 [.138]	12.14 [.478]	4	3-1825058-4	
ADE03STR04	3.50 [.138]	9.60 [.378]	3	3-1825058-3	
ADE02STR04	3.50 [.138]	7.00 [.276]	2	3-1825058-2	
ADE04SATR04	3.50 [.138]	12.14 [.478]	4	3-1825058-1	
ADE12SB04	3.61 [.142]	32.51 [1.280]	12	3-1825058-0	
ADE12SA04	3.61 [.142]	32.51 [1.280]	12	2-1825058-9	
ADE12S04	3.61 [.142]	32.51 [1.280]	12	2-1825058-8	
ADE10SB04	3.50 [.138]	27.30 [1.075]	10	2-1825058-7	
ADE10SA04	3.50 [.138]	27.30 [1.075]	10	2-1825058-6	
ADE10S04	3.50 [.138]	27.30 [1.075]	10	2-1825058-5	
ADE09SB04	3.50 [.138]	24.54 [.978]	9	2-1825058-4	
ADE09SA04	3.50 [.138]	24.54 [.978]	9	2-1825058-3	
ADE09S04	3.50 [.138]	24.54 [.978]	9	2-1825058-2	
ADE08SB04	3.50 [.138]	22.30 [.878]	8	2-1825058-1	
ADE08SA04	3.50 [.138]	22.30 [.878]	8	2-1825058-0	
ADE08S04	3.50 [.138]	22.30 [.878]	8	1-1825058-9	
<del>ADE07SB04</del>	3.50 [.138]	19.76 [.778]	7	1-1825058-8	
<del>ADE07SA04</del>	3.50 [.138]	19.76 [.778]	7	1-1825058-7	
<del>ADE07S04</del>	3.50 [.138]	19.76 [.778]	7	1-1825058-6	
ADE06SB04	3.50 [.138]	17.22 [.678]	6	1-1825058-5	
ADE06SA04	3.50 [.138]	17.22 [.678]	6	1-1825058-4	
ADE06S04	3.50 [.138]	17.22 [.678]	6	1-1825058-3	
<del>ADE05SB04</del>	3.50 [.138]	14.68 [.578]	5	1-1825058-2	
<del>ADE05SA04</del>	3.50 [.138]	14.68 [.578]	5	1-1825058-1	
<del>ADE05S04</del>	3.50 [.138]	14.68 [.578]	5	1-1825058-0	
ADE04SB04	3.50 [.138]	12.14 [.478]	4	1825058-9	
ADE04SA04	3.50 [.138]	12.14 [.478]	4	1825058-8	
ADE04S04	3.50 [.138]	12.14 [.478]	4	1825058-7	
<del>ADE03SB04</del>	3.50 [.138]	9.60 [.378]	3	1825058-6	
<del>ADE03SA04</del>	3.50 [.138]	9.60 [.378]	3	1825058-5	
<del>ADE03S04</del>	3.50 [.138]	9.60 [.378]	3	1825058-4	
ADE02SB04	3.50 [.138]	7.00 [.276]	2	1825058-3	
ADE02SA04	3.50 [.138]	7.00 [.276]	2	1825058-2	
ADE02S04	3.50 [.138]	7.00 [.276]	2	1825058-1	
T&B P/N		DIM H	DIM L	POSITION	PART NO.

THIS DRAWING IS A CONTROLLED DOCUMENT.

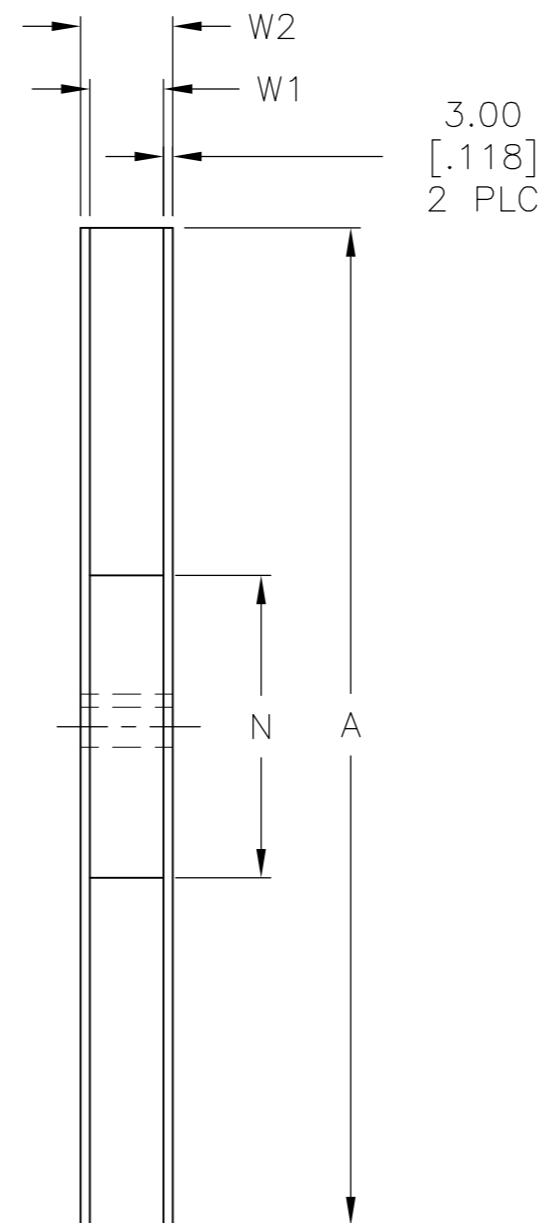
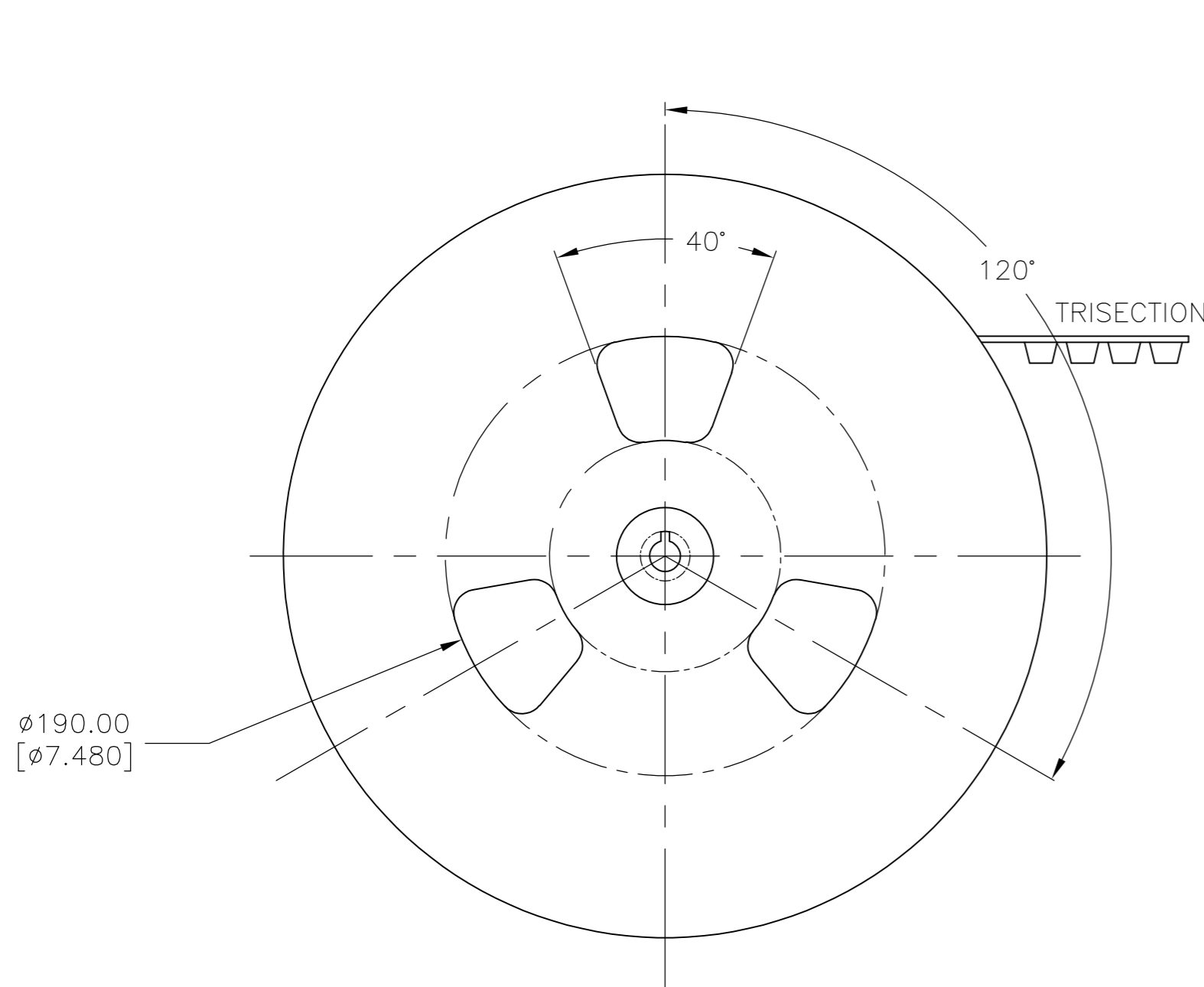
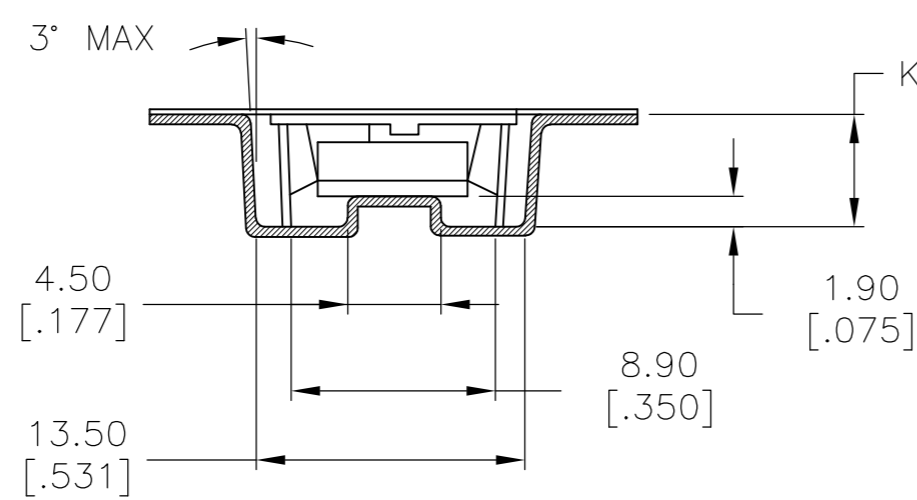
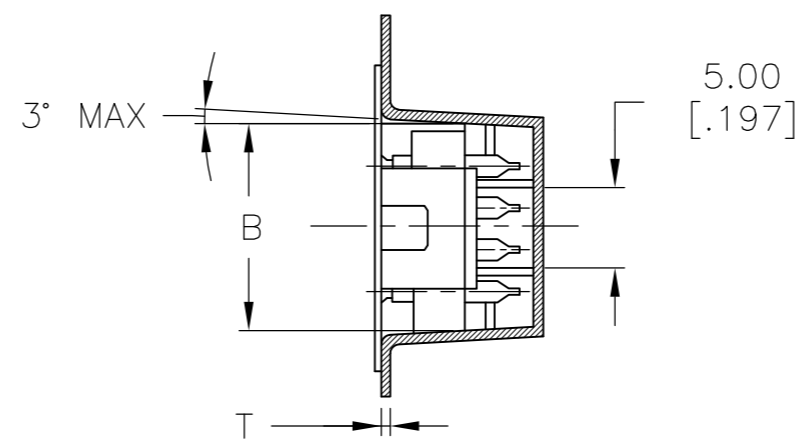
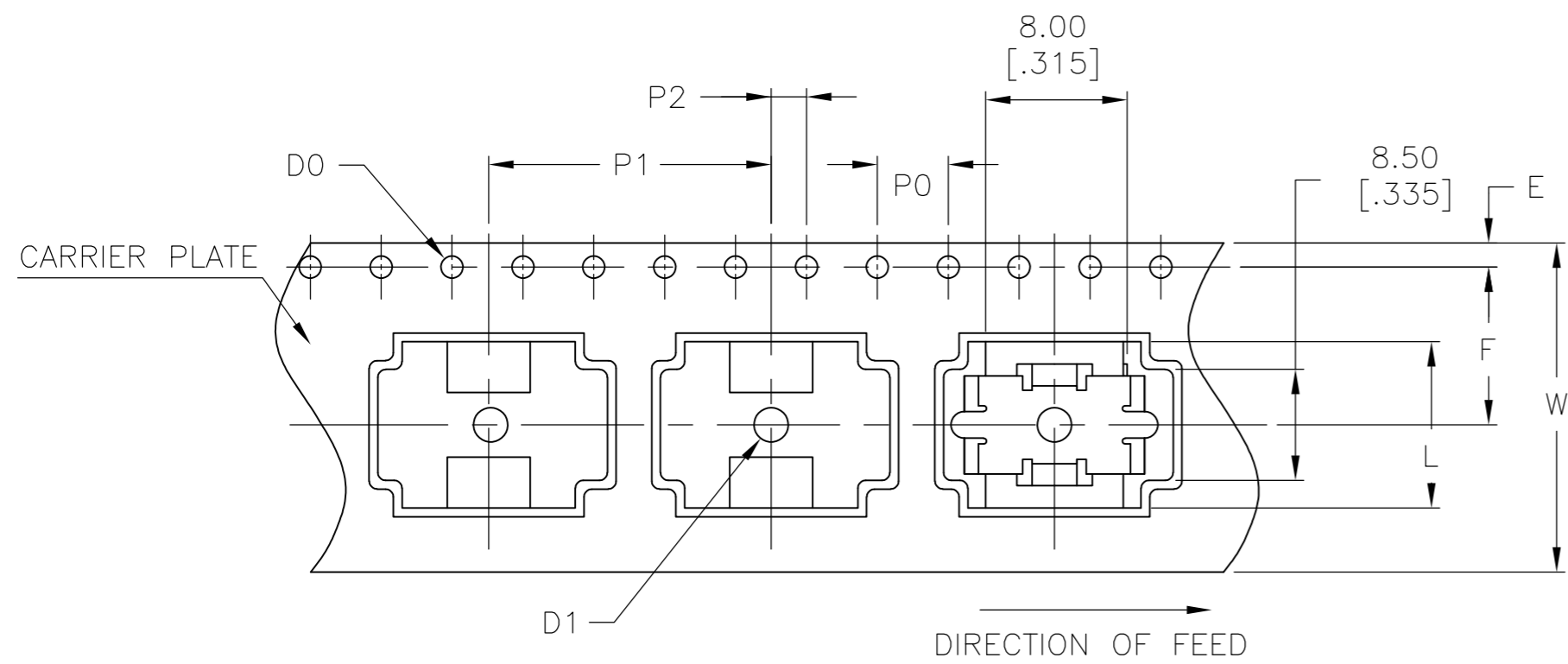
DWN: B.S.VISWESWARA 10FEB05  
 CHK: M.SARVER  
 APVD: M.SARVER  
 PRODUCT SPEC: -  
 APPLICATION SPEC: -  
 WEIGHT: -

DIP SWITCH, ADE-SMT SERIES

SIZE: A2 CAGE CODE: - DRAWING NO: 1825058 RESTRICTED TO: -  
 SCALE: 4:1 SHEET: 2 OF 3 REV: S2

THIS DRAWING IS UNPUBLISHED. RELEASED FOR PUBLICATION 1825058, 1825058  
 © COPYRIGHT 1825058 By - ALL RIGHTS RESERVED.

LOC		DIST		REVISIONS				
P	LTR	DESCRIPTION	DATE	DWN	APVD			
AD	0							
		SEE SHEET 1						



	DESCRIPTION	MATERIAL	DIMENSION	FINISH	REMARKS
1	REEL	SIDE: CARDBOARD CORE: STYLOFOAM	MENTIONED BELOW		
2	EMBOSSSED TAPE	-	MENTIONED BELOW	ANTISTATIC	BLACK
3	TOP COVER TAPE	-	MENTIONED BELOW	ANTISTATIC	TRANSPARENT

4P	ø330.00±2.10 [12.992±.082]	ø100 [3.940]	24.40 +2.00 [.960 +.790]	30.40 [1.997]
NO OF POSITION	A	N (MIN)	W1	W2 (MAX)

4P	ø1.50 +0.10 [ø.059+.003]	4.00±0.10 [.157±.003]	16.00±0.10 [.629±.003]	2.00±0.15 [.078±.005]	11.50±0.10 [.453±.003]	7.40±0.10 [.291±.003]
NO OF POSITION	D1	P0	P1	P2	F	K

4P	24.00±0.30 [.944±.011]	12.90±0.10 [.507±.003]	1.75±0.10 [.068±.003]	0.50±0.05 [.020±.001]	12.14±0.50 [.477±.020]	ø1.50+0.10 [ø.059+.003]
NO OF POSITION	W	B	E	T	L	DO

THIS DRAWING IS A CONTROLLED DOCUMENT. DWN B.S.VISWESWARA 10FEB05  
 CHK M.SARVER  
 APVD M.SARVER  
 PRODUCT SPEC  
 APPLICATION SPEC  
 WEIGHT -

**TE** TE Connectivity  
 DIP SWITCH, ADE-SMT SERIES

SIZE A2 CAGE CODE - DRAWING NO C=1825058 RESTRICTED TO -  
 SCALE 4:1 SHEET 3 OF 3 REV S2  
 CUSTOMER DRAWING